

LED TRACK LIGHT MANUALS

LED TRACK LIGHT MANUALS

Attention: Power off before installation, to prevent electric shock.

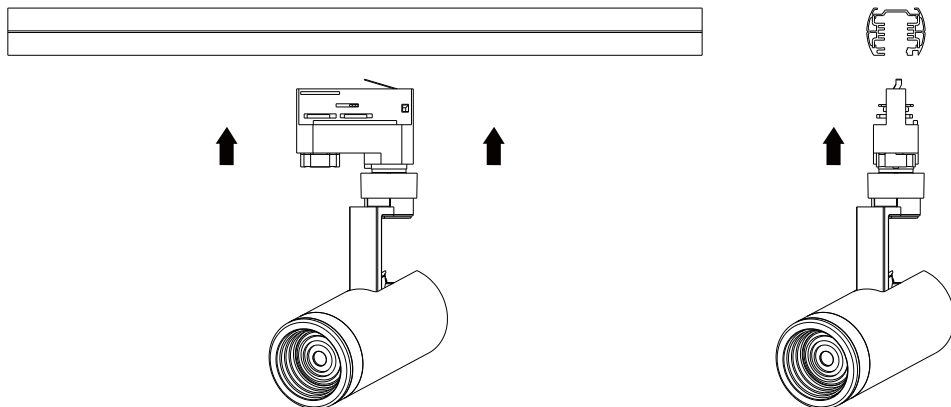
- ⚠ 1. Install the device strictly according to the instructions
- 2. Do not modify the lamp or replace the parts by yourself. Improper installation may cause accidents such as falling, electric shock, etc.

- In order to ensure safe installation, maintenance, inspection of lamps, please entrust the electrical professional. Non-professional construction is prone to danger
- Do not install the lamp on an unstable or insecure ceiling.
- Do not use in parallel with the dimmer. Do not use with dimming controllers or sensors to avoid malfunctions.
- Do not install above hot objects or wet places. Do not install on objects such as stoves, gas and exhaust pipes, and in wet places to avoid damage.
- Under no circumstances should the lamp be covered by insulating mats or similar materials. The use of this lamp does not violate any fire regulations.

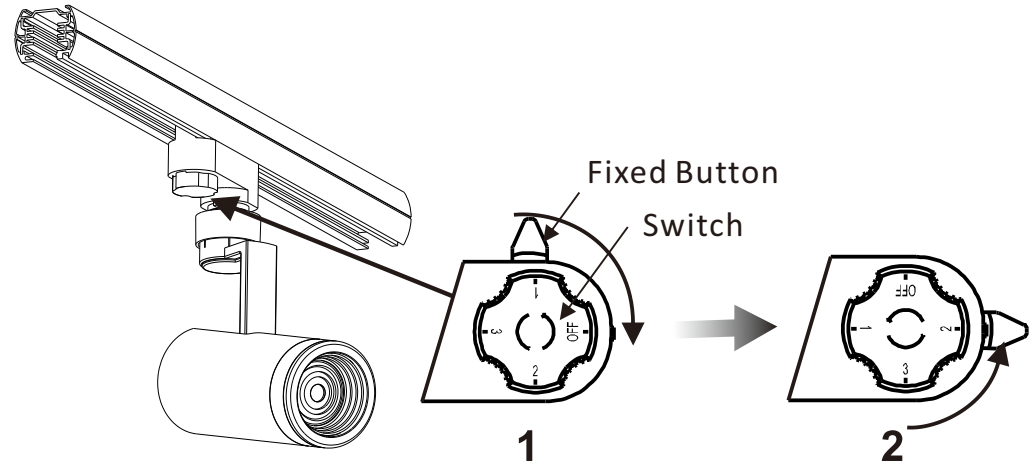
Installation Instructions for Rail Type Projector Lights

1. Install the track rail that match the luminaire rail adapter on the ceiling.

Installation as shown



2. When stuck adapter into rail, turn the adaptor of the luminaire to the right and lock to secure it.



3. Select the phase and power you need. Connect the fixture to power and adjust the direction of light you need. Adjust the beam angle until appropriate.

