

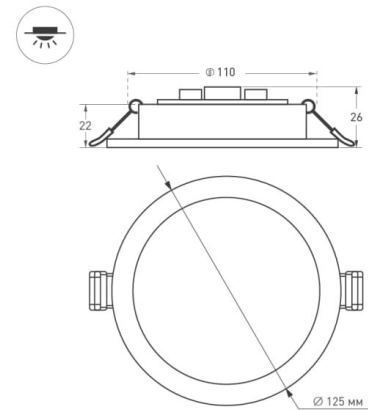
DL-BL125-9W 4000K WH 021434

TECHNICAL DATA

Mounting type	recessed
Mounting location	ceiling
Luminous flux	720 lm
Luminous efficacy	70 lm/W
Correlated color temperature	4000 K
Color rendering index (CRI)	> 80
Distribution direction	direct
Frame color	white
Luminous intensity distribution	100° - symmetrical
Voltage	230 V
Power	9 W
Wired lighting control	ON/OFF
IP Code	IP40
Housing material	metal
Shape	round
Dimensions	Ø125x22 mm
Weight	0,30 kg
Warranty	3 years
Declaration of conformity	TC RU C-CN.AB72.B.01920
EU certificate	BSTXD200813894702EC



DRAFT



Mounting type

Distribution direction